

# cookworks

## Hand Mixer

Model No. HM-732



## Care & Instruction Manual

For household and indoor use only

Please read these instructions before use and retain for future reference



## **Electrical safety**

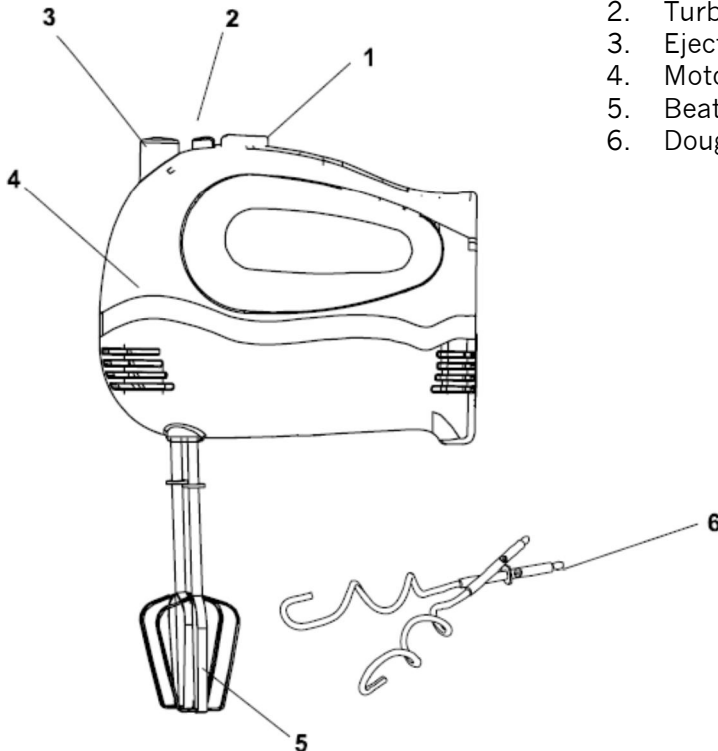
- You should only plug the appliance into a 220V-240V AC, 50Hz supply. Connecting it to other power sources may damage the appliance and will invalidate the guarantee.
- Switch off and unplug if unattended and before assembling, disassembling or cleaning.
- This appliance shall not be used by children. Keep the appliance and its cord out of reach of children.
- This appliance can be used by persons with reduced physical, sensory or mental capabilities or lack of experience and knowledge if they have been given supervision or instruction concerning use of the appliance in a safe way and understand the hazards involved.
- Children shall not play with the appliance.
- Keep motor housing, cable and plug dry and away from areas where it is likely to get splashed. Never immerse in water.
- Do not cover or block the ventilation holes.
- Do not pull on the cable to disconnect from mains supply.
- Do not operate the appliance if damaged or after it malfunctions. In the event the supply cord is damaged, in order to avoid a hazard it must only be replaced by a qualified service engineer, with a suitably approved part.
- This appliance must be positioned so that the plug is accessible and the plug socket is within easy reach of the power cord.

## Warning!

- This appliance is intended exclusively for use in domestic households. It is not suitable for commercial use.
- Only use with the parts provided.
- Never place hands or utensils inside the mixing bowl or near the mixing heads whilst the mixer is in use. Only use a scraper when the mixer is not in operation.
- Do not cover the mixer and allow the motor housing to cool fully before storing.
- Do not leave unattended during use.
- This appliance can cause personal injury if misused.

## Parts

1. Speed control slider
2. Turbo button
3. Eject button
4. Motor housing
5. Beaters
6. Dough hooks



## Fitting the mixing accessories

1. To fit the beaters insert the beaters into the sockets on the underside of the motor housing (figs 1 & 2) and push firmly.
2. To fit the dough hooks insert the dough hook with the washer into the larger socket (see below) on the underside of the motor housing (fig. 3) and push firmly.

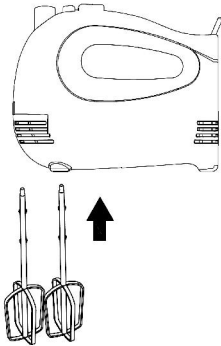


Fig. 1

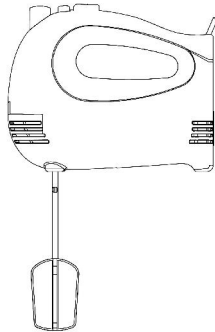


Fig. 2

Fit dough hook with washer into this hole

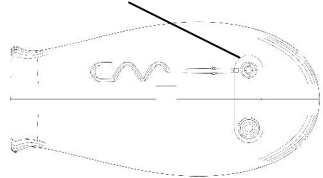


Fig.3

3. To eject the mixing accessories, hold the mixing heads with one hand and press the eject button firmly with the other.

## To use

1. Clean thoroughly before first use.
2. Place the ingredients to be mixed into a mixing bowl.
3. Fully unwind the hand mixer cable and check that the speed control slider is in the off (0) position.
4. Fit mixing accessories of choice into the motor housing and plug in.
5. Place the mixing heads into the ingredients to be blended. Do not immerse beyond the top of the mixing heads.
6. Switch on and using the speed slider, select the mixer speed of choice. Speed 1 is the slowest setting and speed 5 the fastest.
7. If the TURBO button is held down whilst the mixer is in operation the speed will increase by 33%. When the button is released the mixer will slow to the speed shown on the speed control slider.
8. To switch off, move the speed control slider to the off (0) position and allow the mixing heads to come to a complete stop before checking the consistency of the mix. If satisfactory, remove the mixer.

### To use (continued)

9. If using the beaters or the dough hooks, mix for a **maximum** of 3 minutes.
10. If using the turbo button with speed setting 5, use for a **maximum** of 30 seconds.
11. If further mixing is required, wait 5 minutes before restarting the mixer.
12. To stop or interrupt the mixing process, move the speed slider to the off (0) position or turn off at the mains.

### Notes:

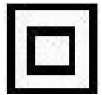
- Do not run the mixer dry (without the mixing heads in the ingredients).
- Use refrigerated ingredients (e.g. butter and margarine) at room temperature.
- The mixing accessories can be used with a maximum of 500g flour / 375g water. Using recipes containing over 500g flour will damage the mixer.
- To minimise splashing and when adding powders place the mixing heads as far as possible into the ingredients and start the mixer on the slowest speed setting working up to the higher setting.
- Do not over beat, start mixing at the slower speed and increase to the recommended speed stated in the recipe.
- When folding dry ingredients, use slowest speed setting.

## Cleaning

1. Switch off and unplug.
2. Remove the mixing accessories and wash these in hot water with a little washing up liquid. Rinse and wipe dry. The beaters and dough hooks are suitable for dishwashers.
3. Wipe the outside of the motor housing and cable with a damp cloth and then wipe dry. Do not use detergent or abrasives as these may scratch the surface.
4. Never immerse the motor housing, cable or plug in water and not suitable for dishwashers.

## Technical specification

Rated voltage	220-240V AC 50Hz
Power consumption	250W
Maximum work time	Speeds 1 to 5 – 3minutes Turbo – 30 seconds Dough hooks - 3 minutes
Class rating	2 (double insulated)
BS 1362 fuse	3A







## PRODUCT GUARANTEE

This product is guaranteed against manufacturing defects for a period of



Year

This product is guaranteed for twelve months from the date of original purchase.

Any defect that arises due to faulty materials or workmanship will either be replaced, refunded or repaired free of charge where possible during this period by the dealer from whom you purchased the unit.

The guarantee is subject to the following provisions:

- The guarantee does not cover accidental damage, misuse, cabinet parts, knobs or consumable items.
- The product must be correctly installed and operated in accordance with the instructions contained in this manual. A replacement copy of this instruction manual can be obtained from [www.argos-support.co.uk](http://www.argos-support.co.uk)
- It must be used solely for domestic purpose.
- The guarantee will be rendered invalid if the product is re-sold or has been damaged by inexpert repair.
- Specifications are subject to change without notice.
- The manufacturer disclaims any liability for the incidental or consequential damages.
- The guarantee is in addition to, and does not diminish your statutory or legal rights.

Guarantor: Argos Ltd  
489 - 499 Avebury Boulevard  
Central Milton Keynes  
MK9 2NW  
[www.argos-support.co.uk](http://www.argos-support.co.uk)